

Part number:

**006-10392**

**HYDROMA**

HYDRAULICKÉ SYSTÉMY

**HIDROMA  
SYSTEMS**

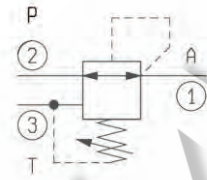
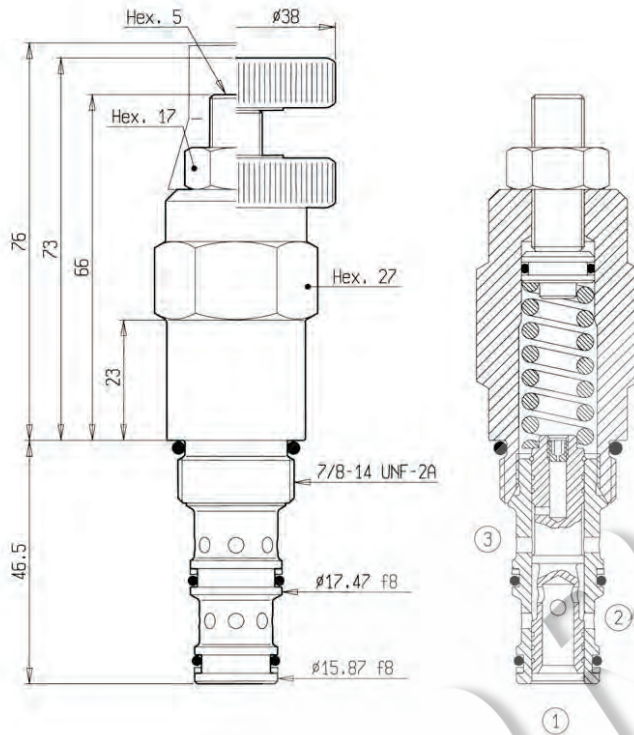
UKŁADY HYDRAULICZNE

**HYDROMA**

ГИДРАВЛИЧЕСКИЕ СИСТЕМЫ

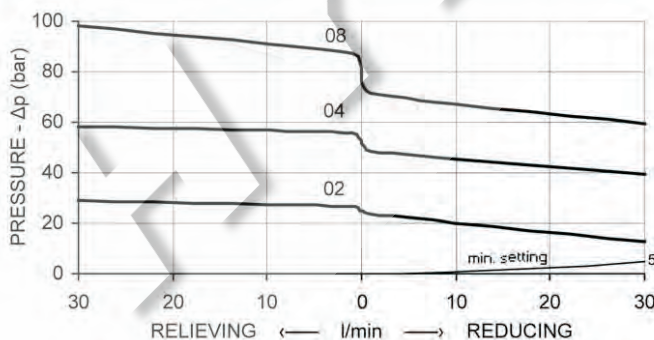
**VRPR-10A**

**04.95.04 - X - 85 - Z**





**TECHNICAL DATA**

Max. inlet pressure :	350	bar
Max. flow :	30	l/min
Internal leakage :	ave. 35	cm <sup>3</sup> /min
Cavity – Tooling (page 10.012) :	CA-10A-3N	
External seals kit :	see page 11.011	
Installation torque :	50-60	Nm
Weight :	0.260	kg




**X ADJUSTMENTS**

<b>03</b>	Leakproof hex. socket screw	
<b>04</b>	Handknob and locknut	

**SPRINGS**

<b>Z</b>	SPRINGS				
	Adj. press. range bar	Press. increase bar/turn	Standard setting bar (reduc. mode)		
<b>02</b>	2-25	2.8	7-10		
<b>04</b>	10-50	7	35-40		
<b>08</b>	28-80	14	45-50		

**OPTIONALS**

Ordering code	Description
11.04.23.003	 Tamperproof cap