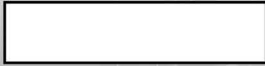


Part number:



**HYDROMA**

HYDRAULICKÉ SYSTÉMY

**HIDROMA  
SYSTEMS**

UKŁADY HYDRAULICZNE

**HYDROMA**

ГИДРАВЛИЧЕСКИЕ СИСТЕМЫ

# Flow control, cartridge restrictor Common cavity, Size 08

ST-C-06

OD.21.01 - X - 56

**RE 18321-26**

Edition: 03.2016

Replaces: 11.2015

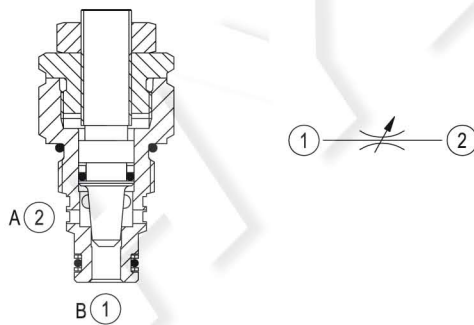


Technical data	
Max. operating pressure	350 bar (5000 psi)
Rated flow	40 l/min. (11 gpm)
Fluid temperature range	-30 to 100 °C (-22 to 212 °F)
Installation torque	39 - 51 Nm (29 - 38 ft-lbs)
Weight	0.09 kg (0.2 lbs)
Cavity	CA-08A-2N (see data sheet 18325-70)
Lines bodies and standard assemblies	Please refer to section "Hydraulic integrated circuit" or consult factory
Seal kit <sup>1)</sup>	Code: RG08A2010530100 material no: R901101544
Fluids	Mineral-based or synthetics with lubricating properties at viscosities of 10 to 500 mm <sup>2</sup> /s (cSt)
Recommended degree of fluid contamination	Nominal value max. 10µm (NAS 8) / ISO 4406 19/17/14
Installation	No restrictions
Other Technical Data	See data sheet 18350-50

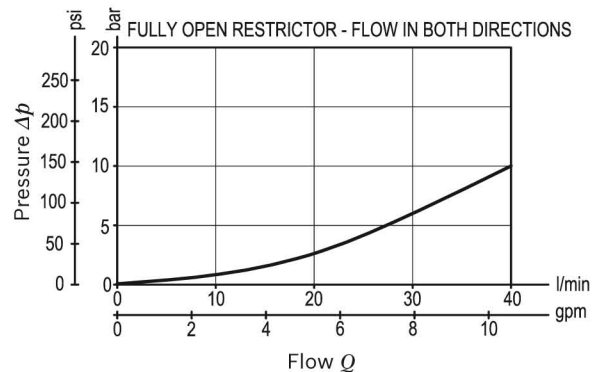
1) Only external seals for 10 valves

## Description

Increasing the orifice value from fully closed to fully open, flow is permitted and regulated bi-directional from 1 to 2 and from 2 to 1. With valve fully closed no leakage permitted between ports 1 and 2.



## Characteristic curve



**Ordering code**

<b>OD.21.01</b>	<b>X</b>	<b>56</b>
-----------------	----------	-----------

Flow control, cartridge restrictor

Adjustments

**03** Leakproof hex. socket screw

**04** Handknob and locknut

**56** Common cavity, Size 08

**Preferred types**

Type	Material number
OD21010356	R901109366
OD21010456	R901109367

Type	Material number

**Dimensions**

