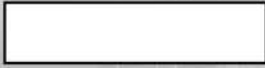


Part number:



HYDROMA

HYDRAULICKÉ SYSTÉMY

**HIDROMA
SISTEMS**

UKŁADY HYDRAULICZNE

HYDROMA

ГИДРАВЛИЧЕСКИЕ СИСТЕМЫ

Solenoid operated valves direct acting poppet type
2-way normally closed
Common cavity, Size 08

RE 18324-16

Edition: 06.2018

VED-16-08A-NC

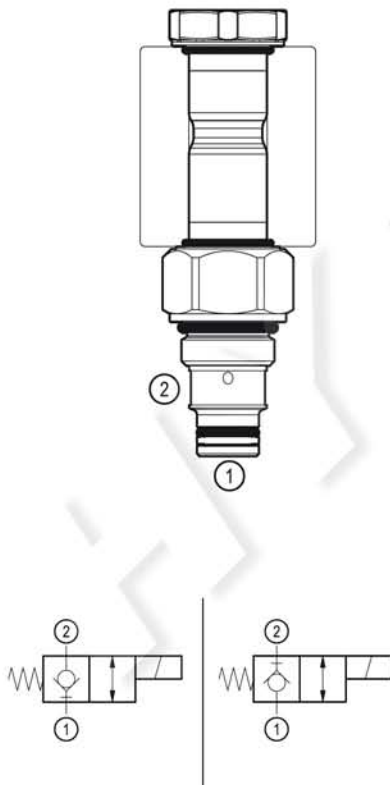
OD.11 - X - 18 - Y - Z



Technical data

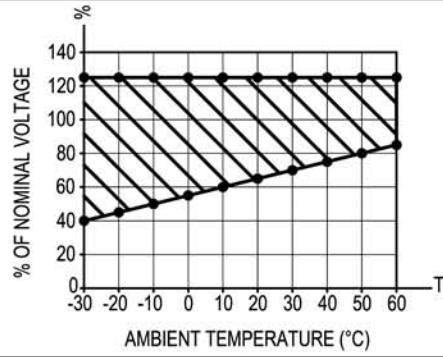
General	
Weight	0.20 kg (0.44 lbs)
Installation orientation	Unrestricted
Ambient temperature range	-30 to 60 °C (-22 to 140 °F)
Hydraulic	
Max. operating pressure	350 bar (5000 psi)
Rated flow	1.5 l/min (0.4 gpm)
Max. internal leakage:	20 drops/min.
Switching time	Closing ≤ 100 ms
	Opening ≤ 50 ms
Fluid temperature range	-20 to 80 °C (-4 to 176 °F)
Fluids: Mineral-based or synthetics with lubricating properties at viscosities of 20 to 380 mm ² /s (cSt)	
Installation torque	39 - 51 Nm (29 - 38 ft-lbs)
Recommended degree of fluid contamination	Nominal value max. 10 µm (NAS 8) ISO 4406 19/17/14
Common cavity	CA-08A-2N see 18325-70
Seal kit for X=01,03	code material no. RG08A2010520100 R901101437
Seal kit coil and standard cap	code material no. RG02Z0010000100 R930067869
Seal kit coil and protective cap only for Y=D	code material no. RG03Z0010000100 R930067870
Other technical data	See data sheet 18350-50
Electrical	
Type of voltage	DC voltage
Coil type	D36
Supply voltage	See data sheet 18325-90
Voltage tolerance against ambient temperature	See characteristic curve
Power consumption	20 W
Type of protection	See data sheet 18325-90
Note: Coils must be ordered separately	

PATENT PENDING

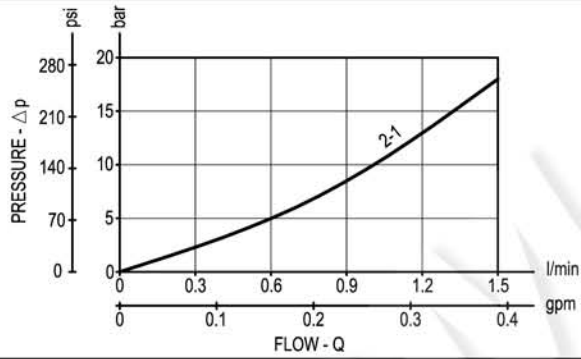


Characteristic curves

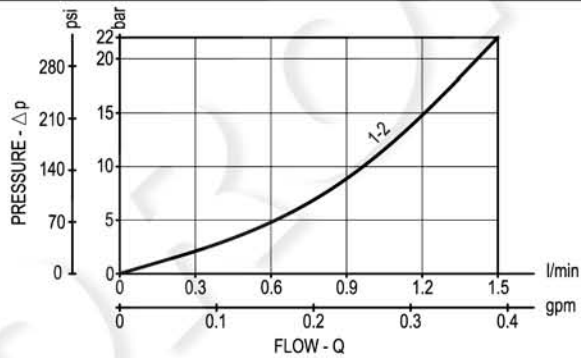
All Versions - Admissible supply voltage Vs. Ambient temperature at 100% duty cycle



Versions 01



Versions 03



Dimensions**Solenoid operated valves, poppet 2-way
normally closed**