

Part number:

HYDROMA

HYDRAULICKÉ SYSTÉMY

**HIDROMA
SISTEMS**

UKŁADY HYDRAULICZNE

HYDROMA

ГИДРАВЛИЧЕСКИЕ СИСТЕМЫ

Flow regulator 3 way, pressure compensated

A-VRFC3

0M.C2.03 - X - Y

RE 18309-41

Edition: 03.2016

Replaces: 04.2010



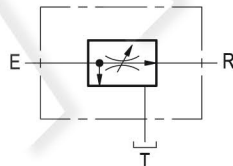
Technical data

Max operating pressure	350 bar (5000 psi)
QE= max. inlet flow "E" port (see "Dimensions")	
QR= max. regulated flow "R" port (see "Dimensions")	
Flow range adjustment	0 - 3 turns
Weight	see "Dimensions"
Manifold material	Zinc plated steel
Fluid	Mineral oil (HL, HLP) according DIN 51524
Fluid temperature range	-30 °C to 100 (-22 to 212 °F)
Viscosity range	5 to 800 mm ² /s (cSt)
Recommended degree of fluid contamination	Class 19/17/14 according to ISO 4406
Other technical data	see data sheet 18350-50

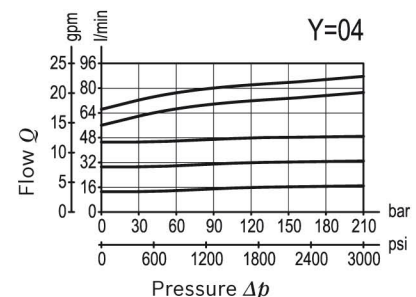
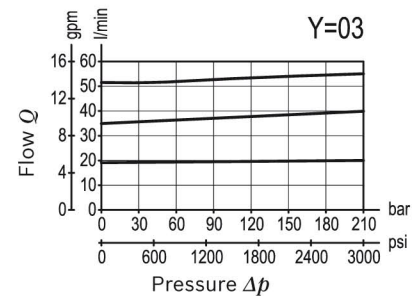
Note: for applications outside these parameters, please consult us.

Description

A constant flow rate, regardless of system pressures, is established from E to R, while a minimum pressure differential of appr. 5 bar (70 psi) exists between the two ports. Input flow supplied to E in excess of the regulated output at R is by-passed to T. Output flow can be varied from closed to the nominal maximum rating for the valve. Reverse flow from R to E is limited by the selected opening of the restrictor and is not pressure compensated. Flow from T to E or from T to R is not possible. Increasing or decreasing inlet flow may cause slight increase or decrease of Regulated flow.



Characteristic curve



Ordering code

0M.C2.03	X	Y
-----------------	----------	----------

Flow regulator
3 way, pressure compensated

Adjustments

70 Handknob and locknut



80 Screw and locknut



40 Graduated handknob



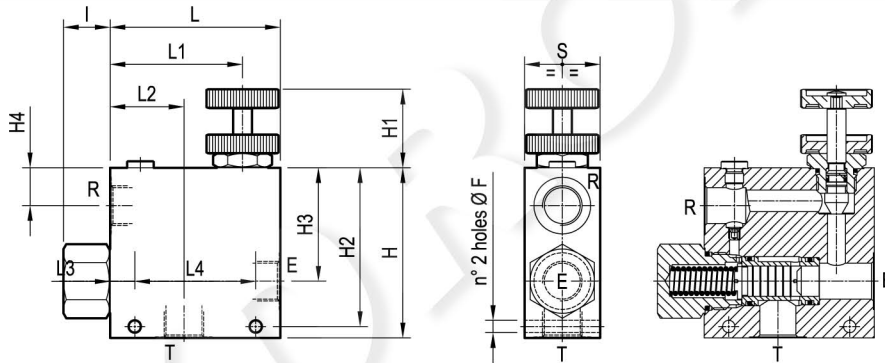
Port sizes	E - R - T
03	G 1/2
04	G 3/4

Preferred types

Type	Material number
0MC20370030000A	R930004477
0MC203700400000	R930004478
0MC20380030000A	R930004480

Type	Material number
0MC203800400000	R930006088
0MC20340030000A	R930004474
0MC203400400000	R930004475

Dimensions



50 (1.97)	88 (3.47)	10 (0.39)	44 (1.73)	79 (3.11)	108 (4.25)	21 (0.83)	23 (0.91)	73 (2.87)	101 (3.98)	40 (1.58)	108 (4.25)	8.5 (0.34)	90 l/min 24 gpm	150 l/min 40 gpm	G 3/4	4.3 (9.5)
40 (1.58)	64 (2.52)	13 (0.51)	39 (1.54)	70 (2.76)	90 (3.54)	21 (0.83)	17.5 (0.69)	60 (2.36)	84 (3.31)	40 (1.58)	90 (3.54)	6.5 (0.26)	55 l/min 15 gpm	90 l/min 24 gpm	G 1/2	2.1 (4.6)
S	L4	L3	L2	L1	L	I	H4	H3	H2	H1	H	F	QR	QE	Y	Weight kg (lbs)