

Part number:

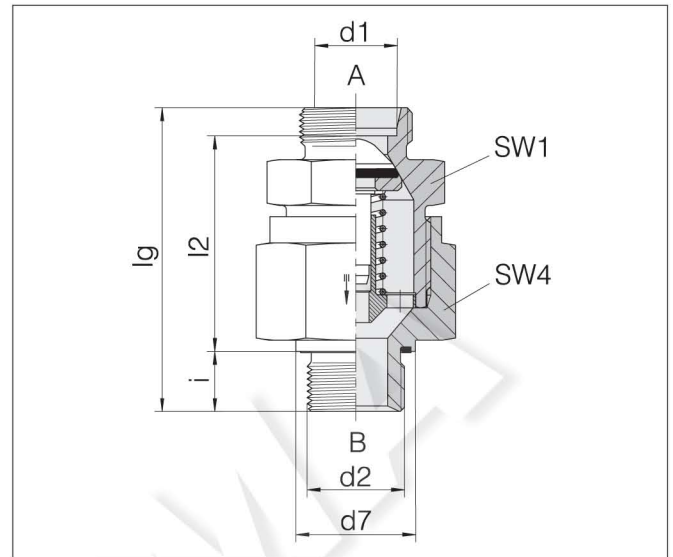
## Standard non-return valves

Flow direction to threaded stud

Male thread: BSPP thread, cylindrical  
Threaded studs: ISO 1179-2 Form E  
Sealing type: Profile sealing ring PEFLEX  
Sealing material: Standard NBR

Tube coupling: 24° in acc. with ISO 8434-1

Opening pressure 1 bar



Series	d2	Pressure	lg	d7	l2	SW1	SW4	i	Nm -10 %	kg/100 ca.	Order-No.	Designation	
L	6	G 1/8 A	PB 250	43	13.9	28	17	17	8	20	4.5	0604302081	24-VNROTP-L6-G1/8E
L	8	G 1/4 A	PB 250	47.5	18.9	28.5	19	19	12	50	5.8	0604312081	24-VNROTP-L8-G1/4E
L	10	G 1/4 A	PB 250	59	18.9	40	22	24	12	50	10.6	0604322081	24-VNROTP-L10-G1/4E
L	12	G 3/8 A	PB 250	60.5	21.9	41.5	27	30	12	80	16.8	0604332081	24-VNROTP-L12-G3/8E
L	15	G 1/2 A	PB 250	65	26.9	44	30	32	14	100	20.8	0604342081	24-VNROTP-L15-G1/2E
L	18	G 1/2 A	PB 160	69.5	26.9	48	36	36	14	100	28.0	0604352081	24-VNROTP-L18-G1/2E
L	22	G 3/4 A	PB 160	80.5	31.9	57	41	46	16	180	49.4	0604362081	24-VNROTP-L22-G3/4E
L	28	G 1 A	PB 100	92.5	39.9	67	50	55	18	230	81.9	0604372081	24-VNROTP-L28-G1E
L	35	G 1 1/4 A	PB 100	102	49.9	71.5	60	65	20	330	121.7	0604382081	24-VNROTP-L35-G11/4E
L	42	G 1 1/2 A	PB 100	108.5	54.9	75.5	65	75	22	500	167.2	0604392081	24-VNROTP-L42-G11/2E
S	6	G 1/4 A	PB 630	50.5	18.9	31.5	19	19	12	60	7.0	0604402081	24-VNROTP-S6-G1/4E
S	8	G 1/4 A	PB 630	50.5	18.9	31.5	19	19	12	60	6.9	0604412081	24-VNROTP-S8-G1/4E
S	10	G 3/8 A	PB 630	57.5	21.9	38	22	24	12	90	12.0	0604422081	24-VNROTP-S10-G3/8E
S	12	G 3/8 A	PB 630	60.5	21.9	41	24	27	12	90	15.0	0604432081	24-VNROTP-S12-G3/8E
S	14	G 1/2 A	PB 630	65.5	26.9	43.5	27	32	14	150	21.6	0604442081	24-VNROTP-S14-G1/2E
S	16	G 1/2 A	PB 400	70.5	26.9	48	32	36	14	150	28.0	0604452081	24-VNROTP-S16-G1/2E
S	20	G 3/4 A	PB 400	78.5	31.9	52	41	46	16	200	50.7	0604462081	24-VNROTP-S20-G3/4E
S	25	G 1 A	PB 400	87	39.9	57	46	50	18	250	65.6	0604472081	24-VNROTP-S25-G1E
S	30	G 1 1/4 A	PB 250	99.5	49.9	66	55	60	20	500	108.5	0604482081	24-VNROTP-S30-G11/4E
S	38	G 1 1/2 A	PB 250	110.5	54.9	72.5	65	70	22	600	161.8	0604492081	24-VNROTP-S38-G11/2E

Test pressure PP = 1.5-fold  
value in table

Example for comp. :  
RHZ06LREDOMD