

Part number:

HYDROMA

HYDRAULICKÉ SYSTÉMY

**HIDROMA
SYSTEMS**

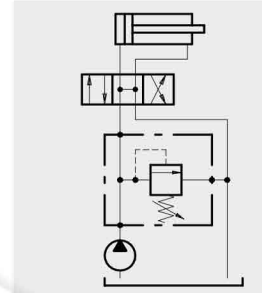
UKŁADY HYDRAULICZNE

HYDROMA

ГИДРАВЛИЧЕСКИЕ СИСТЕМЫ

**DIRECT ACTING VALVES,
POPPET TYPE****Type VMP/B...****Operation**

Allows oil flow from P to T when pressure in P reaches the setting of the spring.

**Performance****Body Valves**

Type VMP	Max. flow		Max. pres.		Application range with standard spring*	Hystere- sis	Oil leaks from P to T	Cartr.	Weight				
	l/min	US gpm	bar	psi					kg	lb			
VMP /B /L 02-14	5	1.32	alum. body 210	alum. body 3050	5÷80 bar - 72.5÷1150 psi (test setting 50 bar - 725 psi at 3 l/min. - 0.79 US gpm) 50÷220 bar - 725÷3200 psi (test setting 150 bar - 2200 psi at 3 l/min. - 0.79 US gpm) 180÷350 bar - 2600÷5100 psi (test setting 250 bar - 3600 psi at 3 l/min. - 0.79 US gpm)	90% of the setting value for flow capacity 1 l/min. - 0.26 US gpm-	disregar-dable	VMP 02	alum. body 0,21 steel body 0,48	alum. body 0.46 steel body 1.06			
VMP /B /L 03-14	10	2.6			5÷50 bar - 72.5÷725 psi (test setting 30 bar - 435 psi at 5 l/min. - 1.32 US gpm) pressure increase by steps 11.5 bar - 160 psi per screw turn 50÷200 bar - 725÷2900 psi (test setting 150 bar - 2200 psi at 5 l/min. - 1.32 US gpm) pressure increase by steps 31.5 bar - 450 psi per screw turn 180÷350 bar - 2600÷5100 psi (test setting 250 bar - 3600 psi at 5 l/min. - 1.32 US gpm) pressure increase by steps 74 bar - 1000 psi per screw turn			MC 08 A	alum. body 0,40 steel body 0,84	alum. body 0.88 steel body 1.85			
VMP/B/L 5 - □□	35	9.2			steel body 350			steel body 5100	5÷40 bar - 72.5÷580 psi (test setting 30 bar - 435 psi at 5 l/min. - 1.32 US gpm) 20÷80 bar - 290÷1150 psi (test setting 60 bar - 870 psi at 5 l/min. - 1.32 US gpm) 50÷220 bar - 725÷3200 psi (test setting 160 bar - 2300 psi at 5 l/min. - 1.32 US gpm) 180÷350 bar - 2600÷5100 psi (test setting 280 bar - 4000 psi at 5 l/min. - 1.32 US gpm)	85% of the setting value for flow capacity 1 l/min. - 0.26 US gpm-	VMP 02	alum. body 0,50 steel body 1,07	alum. body 1.10 steel body 2.36
VMP/B/L 5Y - □□					5÷80 bar - 72.5÷1150 psi (test setting 60 bar - 870 psi at 5 l/min. - 1.32 US gpm) 40÷150 bar - 580÷2200 psi (test setting 120 bar - 1750 psi at 5 l/min. - 1.32 US gpm) 140÷190 bar - 2050÷2750 psi (test setting 150 bar - 2200 psi at 5 l/min. - 1.32 US gpm) 180÷350 bar - 2600÷5100 psi (test setting 260 bar - 3800 psi at 5 l/min. - 1.32 US gpm)			VMP 5Y	alum. body 0.50 steel body 1,07		alum. body 1.10 steel body 2.36		

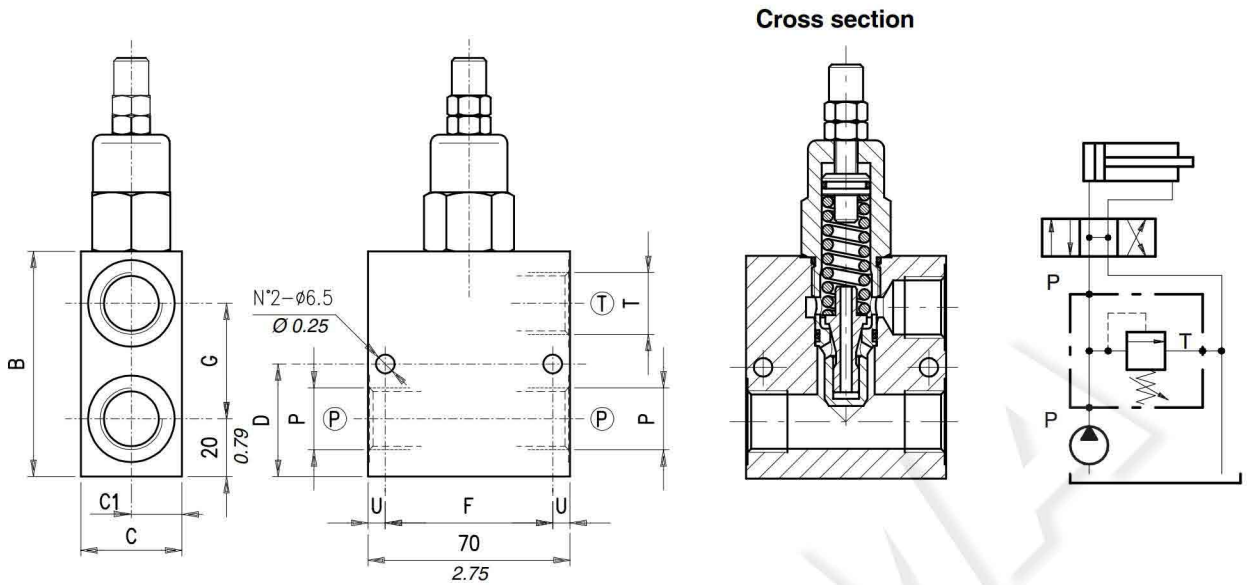
*To perform setting of the valve see the pressure drop/ flow diagram

Type VMP / B...

Body Valves

Type VMP	Max. flow		Max. pres.		Application range with standard spring*	Hysteresis	Oil leaks from P to T	Cartridges	Weight	
	l/min	US gpm	bar	psi					kg	lb
VMP /B /L 10 -□□	60	16						VMP 10	aluminium body 0,77 (VMP/B/L 10-12) 0,87 (VMP/B/L 10-34)	alum. body 1.70 1.91
VMP /B /L 20 -□□	100	26	alum. body 210 steel body 350	alum. body 3050 steel body 5100	see setting VMP/B/L 5 -□□	85% of the setting value for flow capacity 1 l/min. -0.26 US gpm-	disregardable	VMP 20	aluminium body 1,70 (VMP/B/L 20-34) 2,31 (VMP/B/L 20-100)	alum. body 3.75 5.09
VMP /B 12	35	9.2			5÷40 bar - 72.5÷580 psi (test setting 30 bar - 435 psi at 5 l/min. - 1.32 US gpm) 20÷100 bar -290÷1450 psi (test setting 70 bar - 1015 psi at 5 l/min. - 1.32 US gpm-)			VMP 12	aluminium body 0,65 steel body 1,41	alum. body 1.43 steel body 3.11
VMP /B 34	80	21			50÷200 bar -725÷2900 psi (test setting 140 bar - 2030 psi at 5 l/min.-1.32 US gpm) 100÷300 bar - 1450÷4350 psi (test setting 210 bar - 3050 psi at 5 l/min. - 1.32 US gpm)			VMP 34	aluminium body 1,00 steel body 2,15	alum. body 2.20 steel body 4.74

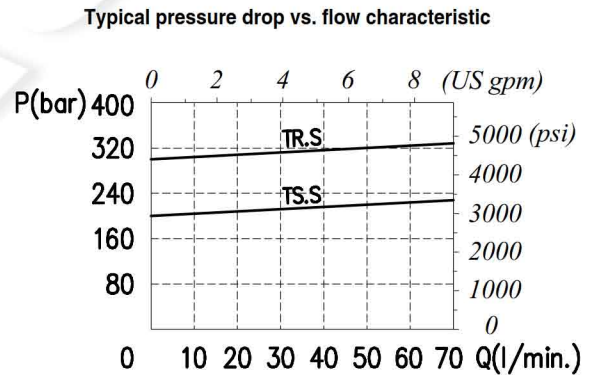
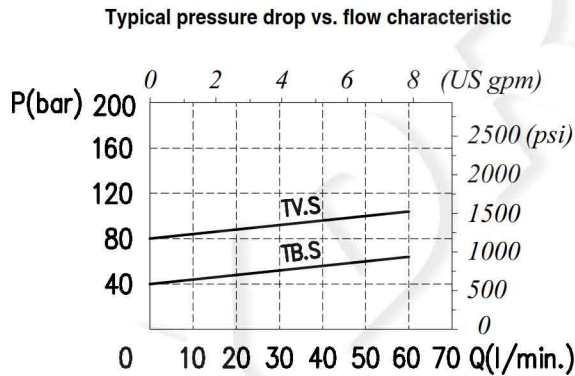
Dimensions and hydraulic circuit



VMP/B/L 10	B	C	C1	D	F	G	P	T	U	Z
12	78 - 3.07	35 - 1.38	17.5 - 0.69	39 - 1.53	58 - 2.28	40 - 2.28	G1/2	G1/2	6 - 0.24	6.5 - 0.25
34	90 - 3.54	40 - 1.57	20 - 0.79	45 - 1.77	54 - 2.12	50 - 1.97	G3/4	G3/4	8 - 0.31	8.5 - 0.33

*Dimensions are in mm - in

Rating diagrams



Order code

VMP / B / L 10 - □□ / □□ . □ / □□

Port size	Pressure settings	Adjustment (see page 105)	Body material
12) G 1/2 34) G 3/4	TB) 5+40 bar (72.5÷580 psi) TV) 20+80 bar (290÷1150 psi) TS) 50+220 bar (725÷3200 psi) TR) 180+350 bar (2600÷5100 psi)	S (screw) V (handknob) W (capped adjustment) P (panel mount) PV (panel mount+handknob)	_ Aluminium ac Steel