

Part number:

**Pressure control valves**



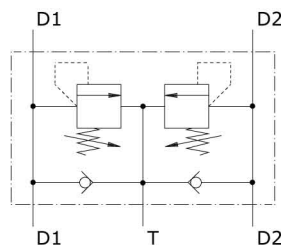
**Type VADDL/VA  
pressure relief valves**

- Double antishock differential acting relief valve with anticavitation

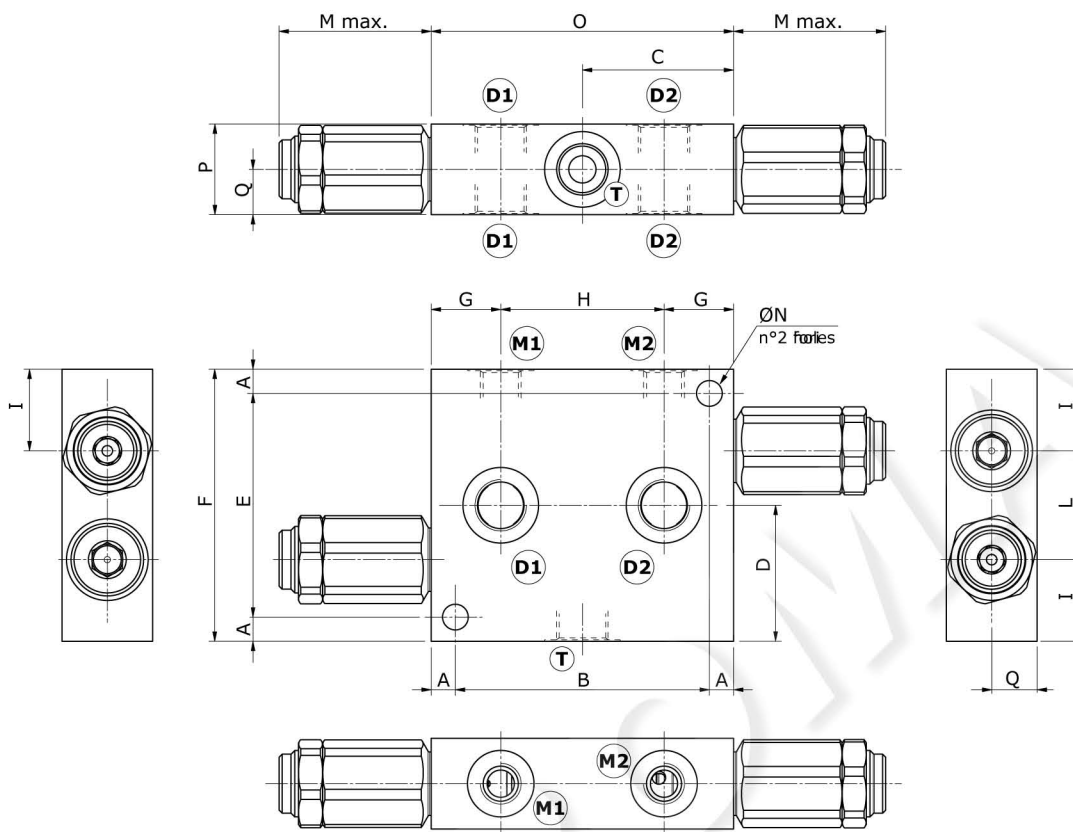
Technical specifications and diagrams are measured with mineral oil of 46 cSt viscosity at 40°C (104°F) temperature.

	<b>VADDL/VA 38</b>	<b>VADDL/VA 12</b>	<b>VADDL/VA 34</b>	<b>VADDL/VA 100</b>	
Nominal flow	35 l/min (9.2 US gpm)	60 l/min (16 US gpm)	120 l/min (31.7 US gpm)	180 l/min (47.6 US gpm)	
Max. pressure	Aluminium body = 210 bar (3050 psi) Steel body = 350 bar (5100 psi)				
Oil leakage at 80% of max. setting	0.50 cm <sup>3</sup> /min (0.03 in <sup>3</sup> /min)				
Fluid	mineral based oil				
Viscosity	from 10 to 200 cSt				
Max. level of contamination	18/16/13 ISO4406				
Fluid temperature	with NBR seals from -20°C (-4°F) to 80°C (176°F)				
Environmental temperature for working conditions	from -40°C (-40°F) to 100°C (212°F)				
Weight	aluminium	1.14 kg (2.51 lb)	1.58 kg (3.48 lb)	3.25 kg (7.16 lb)	3.57 kg (7.87 lb)
	steel	2.10 kg (4.63 lb)	3.10 kg (6.83 lb)	6.50 kg (14.33 lb)	7.78 kg (17.15 lb)

NOTE - For different conditions, please contact Walvoil Sales Dpt.



## Dimensions

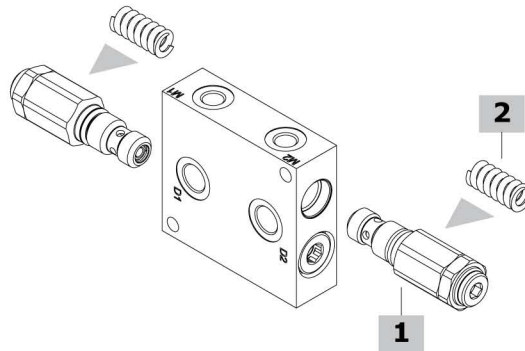
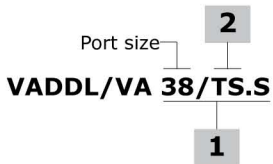


Valve type	D1	D2	T	M1	M2	Valve type	D1	D2	T	M1	M2
VADDL/VA 38	G3/8	G1/4				VADDL/VA 38/SAE	SAE8	SAE6			
VADDL/VA 12	G1/2	G1/4				VADDL/VA 12/SAE	SAE10	SAE6			
VADDL/VA 34	G3/4	G1/4				VADDL/VA 34/SAE	SAE12	SAE6			
VADDL/VA 100	G1"	G1/4				VADDL/VA 100/SAE	SAE16	SAE6			

Dimensions are in mm-in

Valve type	A	B	C	D max	E	F	G	H	I	L	M	ØN	O	P	Q
VADDL/VA 38 VADDL/VA 38/SAE	8-0.31	84-3.31	50-1.97	57.7-2.27	74-2.91	90-3.54	23-0.90	54-2.12	27-1.06	36-1.42	52-2.05	8.5-0.33	100-3.94	30-1.18	15-0.59
VADDL/VA 12 VADDL/VA 12/SAE	8-0.31	84-3.31	46-1.81	56.2-2.21	84-3.30	100-3.94	23-0.90	54-2.12	30-1.18	40-1.57	57-2.24	8.5-0.33	100-3.94	40-1.57	20-0.79
VADDL/VA 34 VADDL/VA 34/SAE	10-0.39	110-4.33	55-1.97	68.8-2.71	100-3.94	120-4.72	28-1.10	64-2.52	37-1.46	46-1.81	66-2.60	10.5-0.41	120-4.72	60-3.15	30-1.18
VADDL/VA 100 VADDL/VA 100/SAE	10-0.39	110-4.33	70-2.75	68.8-2.71	110-4.33	130-5.11	30-1.18	70-2.75	37-1.46	56-2.20	66-2.60	10.5-0.41	130-5.11	70-2.75	35-1.38

**Ordering codes and description composition**



**VADDL/VA complete valves**

*Differential type valve configuration*

*Standard setting 150 bar @ 5 l/min (2100 psi at 1.32 US gpm)*

TYPE	CODE	DESCRIPTION
<b>Configuration with G3/8 standard thread</b>		
VADDL/VA 38/TS.S	1152021102	Aluminium body, setting range 5-210 bar (72.5-3045 psi)
VADDL/VA 38/TS.S/ac	1152022100	Steel body, as previous one
<b>Configuration with G1/2 standard thread</b>		
VADDL/VA 12/TS.S	1152031102	Aluminium body, setting range 5-210 bar (72.5-3045 psi)
VADDL/VA 12/TS.S/ac	1152032100	Steel body, as previous one
<b>Configuration with G3/4 standard thread</b>		
VADDL/VA 34/TS.S	1152041102	Aluminium body, setting range 5-210 bar (72.5-3045 psi)
VADDL/VA 34/TS.S/ac	1152042100	Steel body, as previous one
<b>Configuration with G1" standard thread</b>		
VADDL/VA 100/TS.S	1152051102	Aluminium body, setting range 5-210 bar (72.5-3045 psi)
VADDL/VA 100/TS.S/ac	1152052100	Steel body, as previous one
<b>Configuration with SAE8 standard thread</b>		
VADDL/VA 38/TS.S/SAE	1152021200	Aluminium body, setting range 5-210 bar (72.5-3045 psi)
<b>Configuration with SAE10 standard thread</b>		
VADDL/VA 12/TS.S/SAE	1152031200	Aluminium body, setting range 5-210 bar (72.5-3045 psi)
<b>Configuration with SAE12 standard thread</b>		
VADDL/VA 34/TS.S/SAE	1152041200	Aluminium body, setting range 5-210 bar (72.5-3045 psi)
<b>Configuration with SAE16 standard thread</b>		
VADDL/VA 100/TS.S/SAE	1152051200	Aluminium body, setting range 5-210 bar (72.5-3045 psi)

For other steel body configurations, SAE thread and configurations with FPM (Viton) seals, please contact our Sales Dpt.

**1 Direct acting pressure relief valves**

*Standard setting 150 bar @ 5 l/min (2100 psi at 1.32 US gpm)*

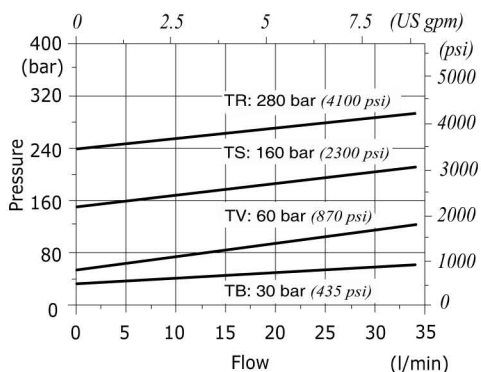
TYPE	CODE	DESCRIPTION
<b>For G3/8 and SAE8 ports configuration</b>		
VMPD 38/TS.S	1120020402	Setting range 5-210 bar (72.5-3050 psi)
<b>For G1/2 and SAE10 ports configuration</b>		
VMPD 12/TS.S	1120030402	Setting range 5-210 bar (72.5-3050 psi)
<b>For G3/4, G1", SAE12 and SAE16 ports configuration</b>		
VMPD 34/TS.S	1120040402	Setting range 5-210 bar (72.5-3050 psi)

**2 Pressure setting spring**

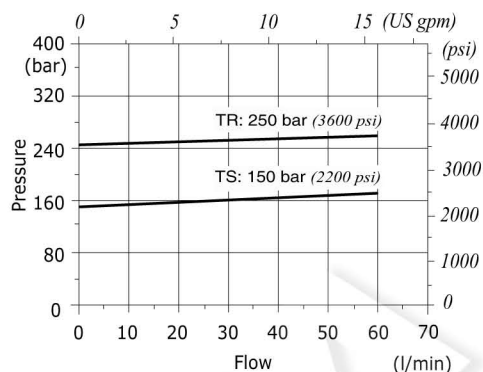
TYPE	CODE	DESCRIPTION
<b>For VMPD 38 valve</b>		
TS	3ML1144000	Spring for range 5-210 bar (72.5-3050 psi)
TR	3ML1144001	Spring for range 50-350 bar (725-5100 psi)
<b>For VMPD 12 valve</b>		
TS	3ML1164000	Spring for range 5-210 bar (72.5-3050 psi)
TR	3ML1164001	Spring for range 50-350 bar (725-5100 psi)
<b>For VMPD 34 valve</b>		
TS	3ML1194500	Spring for range 5-210 bar (72.5-3050 psi)
TR	3ML1194501	Spring for range 50-350 bar (725-5100 psi)

## Rating diagrams

**VADDL/VA 38 pressure vs. flow**  
Std. setting @ 5 l/min (1.32 US gpm)



**VADDL/VA 12 pressure vs. flow**  
Std. setting @ 5 l/min (1.32 US gpm)



**VADDL/VA 34-100 pressure vs. flow**  
Std. setting @ 5 l/min (1.32 US gpm)

